

BRIDGE WATCH ALARM SYSTEM BW-700



Uni-Safe Electronics a/s has developed a bridge watch alarm system BW-700

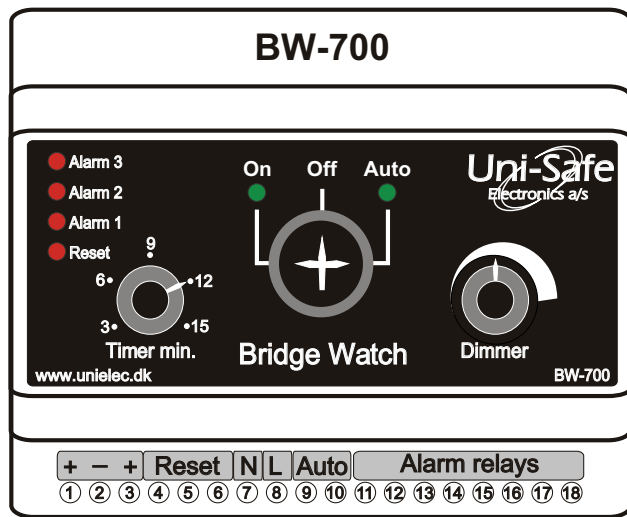
The purpose of the bridge watch alarm system is to ensure the continuous monitoring of the bridge operator's fitness during "one man bridge" operation. The bridge watch alarm is produced in accordance with international and Danish laws for "one man bridge" operation, e.g. IMO resolution A830.

Features

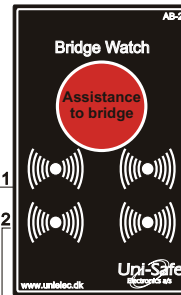
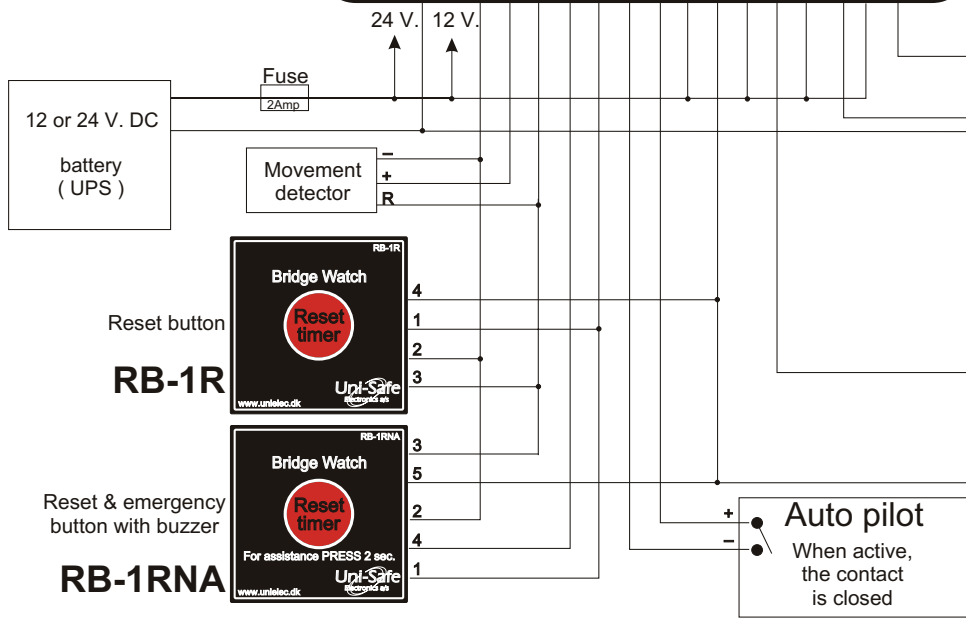
- Competitive prices
- User-friendly, small and easy to install
- Output for motion detector secured against short circuit
- Produced and developed in Denmark
- Instruction manual in English
- Mains supply 12 or 24V dc
- In case of an alarm the Reset-button is flashing
- Alarm signal increases in volume
- BW-700 can be mounted on a DIN-rail in the power cabinet or flush mounted

More info on www.bridgewatchalarm.com



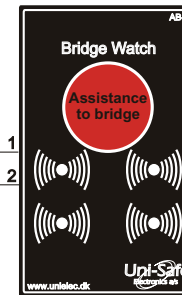


WIRING DIAGRAM BW-700



Alarm 3:
General alarm - crew area.
Activated 60-180 sec.
after the 2nd. alarm.

AB-2



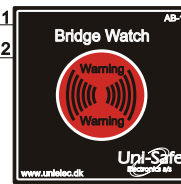
Alarm 2:
Captain's quarters.
Activated 15 sec. after
the 1st. alarm.

AB-2



Alarm 1:
Bridge.
Activated when the
timer has ran out.

AB-2



Buzzer:
Bridge.
Activated 15 sec. before
the timer has ran out

AB-1



Flush mounting plate



Sensor



Wall mounting box